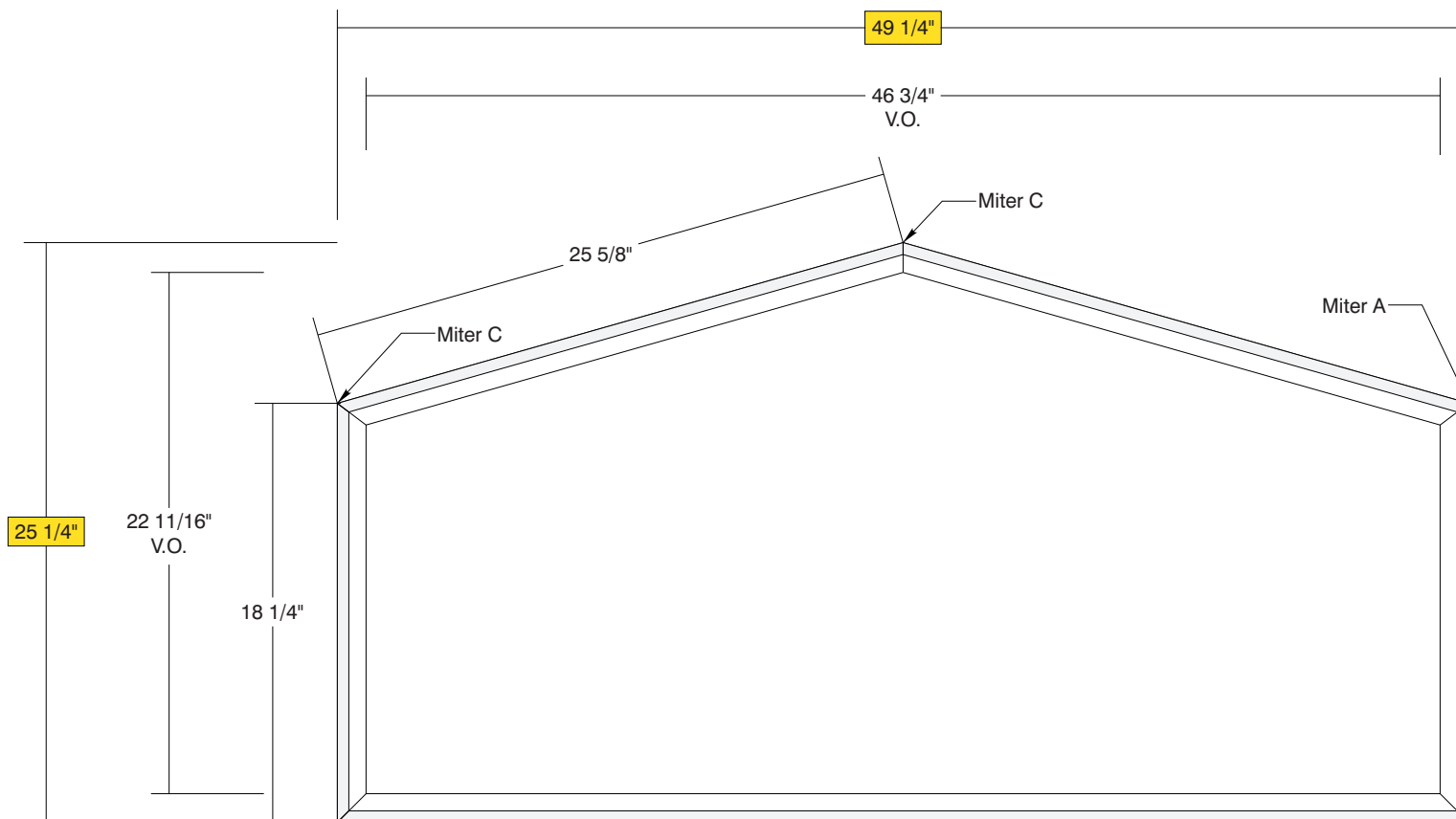


FRONT VIEW



• **Sign System: DSS-125 Peak Top Wall Mount**

- Miter A & B: 37.06°
- Miter C: 15.86°
- (1) .050" Routed Aluminum Panel: (H) 24" x (L) 48"

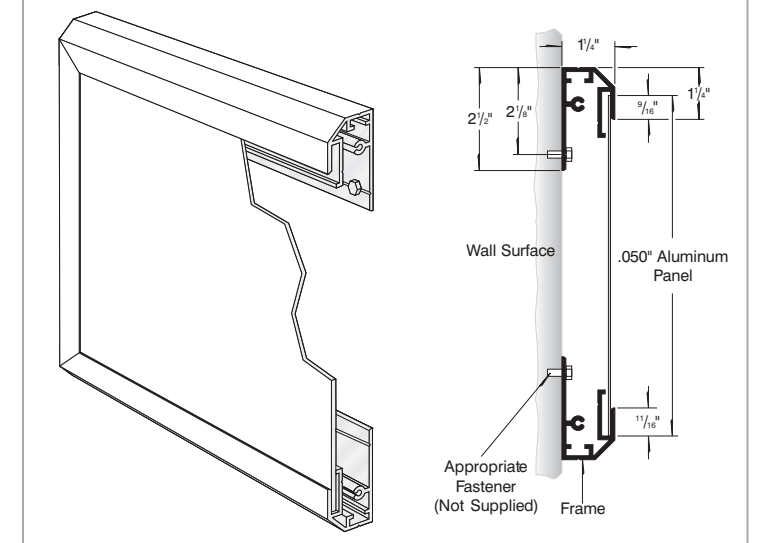
• **Paint:**

- Standard White - Frame, Panel

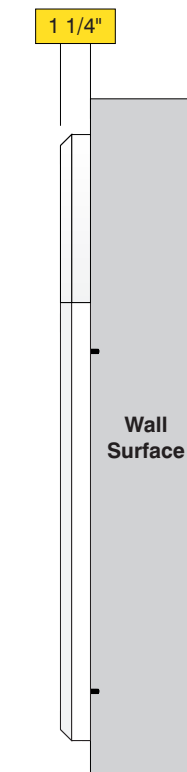
• **Mounting Information**

- Wall Mounted

**DSS-125 Wall Mount Detail**



SIDE VIEW



|          |      |                 |        |           |          |                      |   |              |            |              |
|----------|------|-----------------|--------|-----------|----------|----------------------|---|--------------|------------|--------------|
| Date     | DWG# | DSS-125_PeakTop | Scale: | 1 1/2"=1' | Customer |                      | Mounting  | Wall Mounted | Quote #    |              |
| 2.14.23  |      |                 |        |           |          |                      | SF/DF   | Single Face  | Sales Rep. |              |
| Quantity |      |                 |        |           | Location |                      | Illuminated   | NO           | UL         |              |
| 1        |      |                 |        |           |          |                      | Voltage   | N/A          | Amp        | N/A          |
| Page     |      |                 |        |           | System   | DSS-125 (24" x 48")  | ADA   | No           | Rev. 0     | Illustrator: |
| 1 of 1   |      |                 |        |           |          | Peak Top Sign System | *Due to the ADA/ ANSI's wide interpretation and other factors that may exist, we cannot affirm compliance in all situations and is hereby removed from responsibility regarding these issues. |              |            | Reviewed By: |



• 6400 Howard Drive, Fairview PA 16415 • Toll Free 800.458.0591 •  
 • PA 814.833.7000 • Fax 814.838.0011 •  
 www.howardindustries.com

All concepts and designs represented by this drawing are the property of Howard Industries and may not be reproduced or used in any manner without written consent. ©Copyright 2020 Howard Industries.