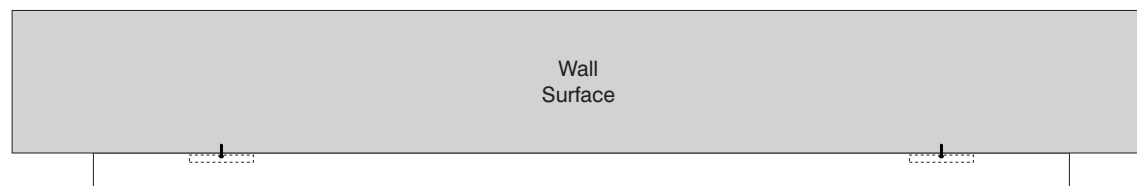
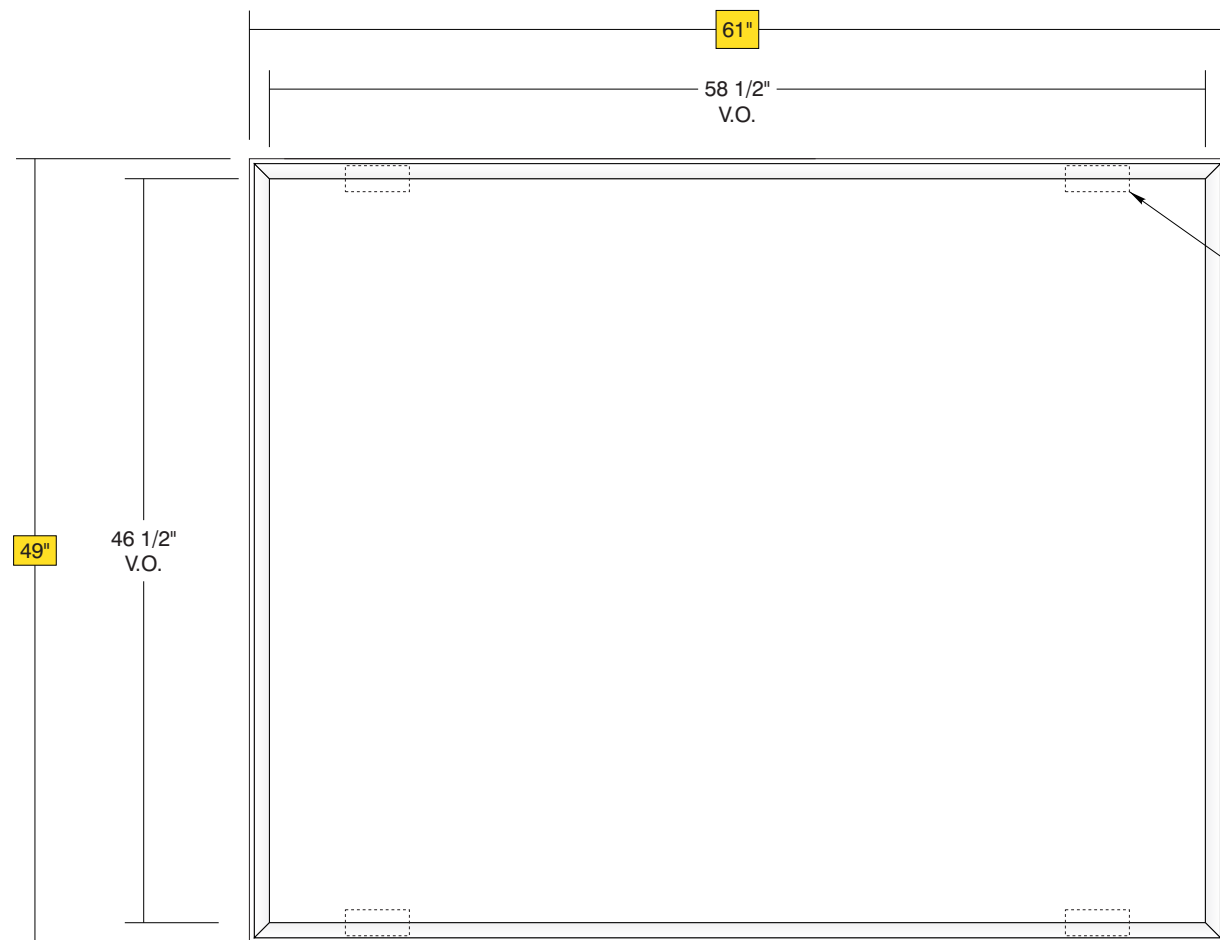


SIDE VIEW

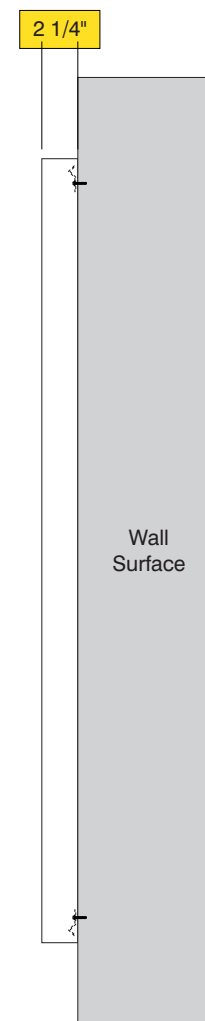


FRONT VIEW

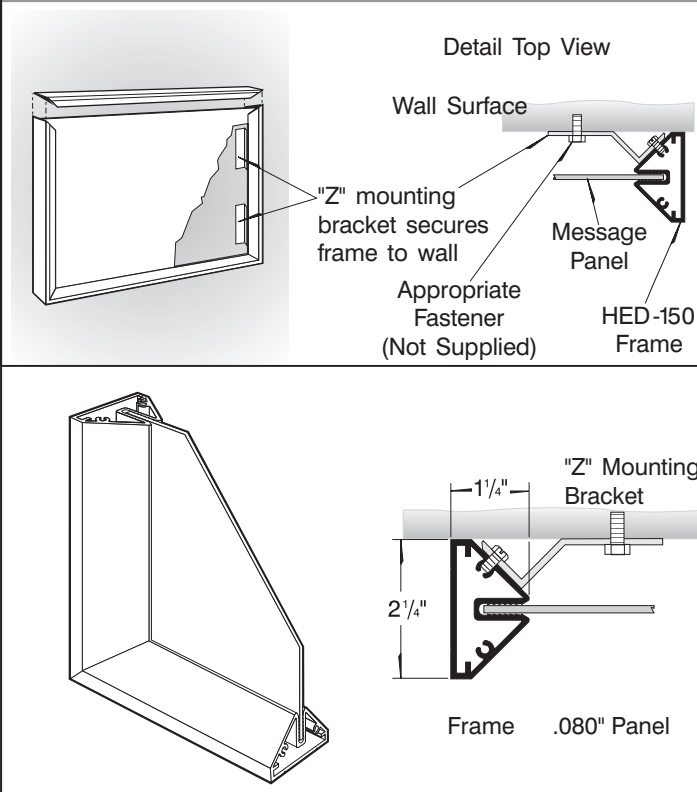


- **Sign System: HED-150 Wall Mount**
  - (1) .080" Aluminum Panel: (H) 48" x (L) 60"
- **Paint:**
  - Standard White - Frame, Panels, Z-Brackets
- **Wall Mount**
  - (4) Z-Brackets: (L) 4"

SIDE VIEW



**HED-150 Wall Mount Detail**



Date	DWG# HED-150_WallMount	Scale: 1"=1'	Customer	Mounting SF/DF	Wall Mount Single Face	Quote #
XX.XX.XX			Location	Illuminated NO	UL	Sales Rep.
Quantity			System	Voltage N/A	Amp N/A	Illustrator:
1			<b>HED-150 (48" x 60") Wall Mount Sign System</b>	ADA No	Rev. 0	Reviewed By:
Page				*Due to the ADA/ANSI's wide interpretation and other factors that may exist, we cannot affirm compliance in all situations and is hereby removed from responsibility regarding these issues.		
1 of 1						



6400 Howard Drive, Fairview PA 16415 • Toll Free 800.458.0591 • PA 814.833.7000 • Fax 814.838.0011 • www.howardindustries.com

All concepts and designs represented by this drawing are the property of Howard Industries and may not be reproduced or used in any manner without written consent. ©Copyright 2020 Howard Industries.