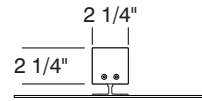
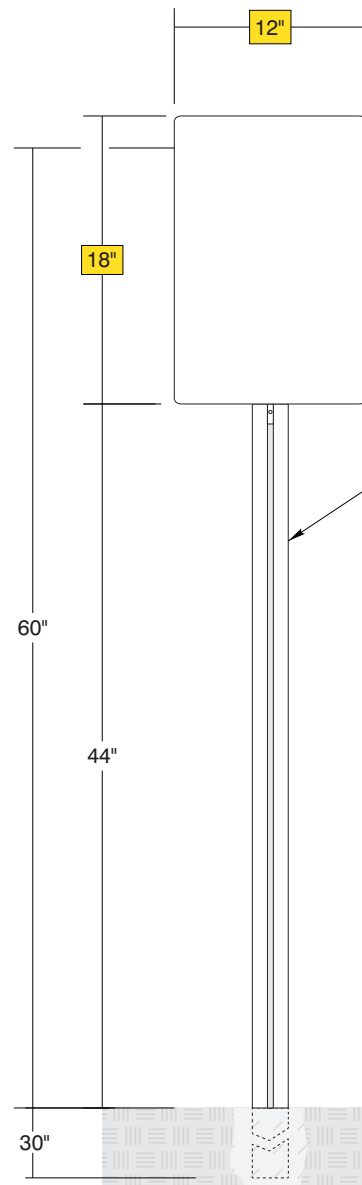


TOP VIEW



SIDE A



• **Sign System: HED-200 Center Post Mount**

- (1) .125 Aluminum Panel: (H) 18" x (L) 12"
- (4) 1/2" Safety Radius Corners
- (1) Mounting Extrusion: (L) 17 1/4"

• **Paint:**

- Standard White - Panel, Mounting Extrusion, Post, Cap

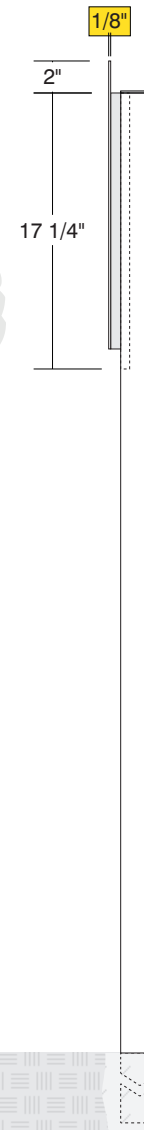
• **Center Post Mount**

- (1) Post: 2 1/4" x 2 1/4" x (L) 90" with Cap

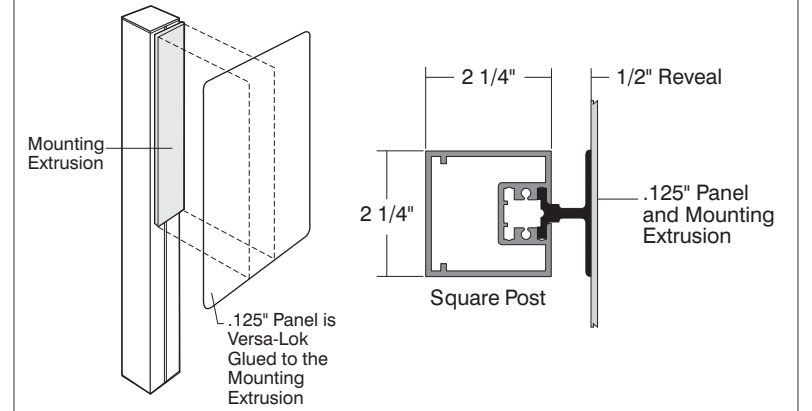
Represents
6 ft.



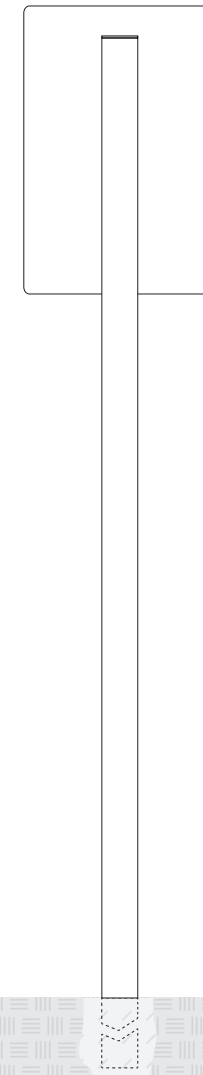
SIDE VIEW



HED-200 Detail



SIDE B



Date	DWG# HED-200_CenterPostSF	Scale:	1"=1'	Customer		Mounting SF/DF	Single Center Post Mount Single Face		Quote #	
XX.XX.XX				Location		Illuminated	NO	UL	Sales Rep.	
Quantity				System	HED-200 (18" x 12") Center Post-SF Sign System	Voltage	N/A	Amp	Illustrator:	
1						ADA	No	Rev. 0	Reviewed By:	
Page						*Due to the ADA/ANSI's wide interpretation and other factors that may exist, we cannot affirm compliance in all situations and is hereby removed from responsibility regarding these issues.				
1 of 1										



• 6400 Howard Drive, Fairview PA 16415 • Toll Free 800.458.0591 •
• PA 814.833.7000 • Fax 814.838.0011 •
www.howardindustries.com

All concepts and designs represented by this drawing are the property of Howard Industries and may not be reproduced or used in any manner without written consent. ©Copyright 2020 Howard Industries.