

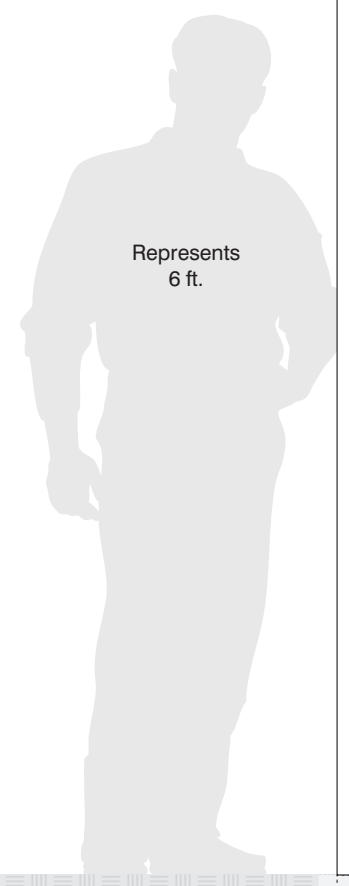
• Sign System: HED-200 Corner Post Flag Mount

- (2) .125 Aluminum Panel: (H) 6" x (L) 18 9/16"
- (4) 1/2" Safety Radius Corners
- (2) U-Channel: (L) 8"

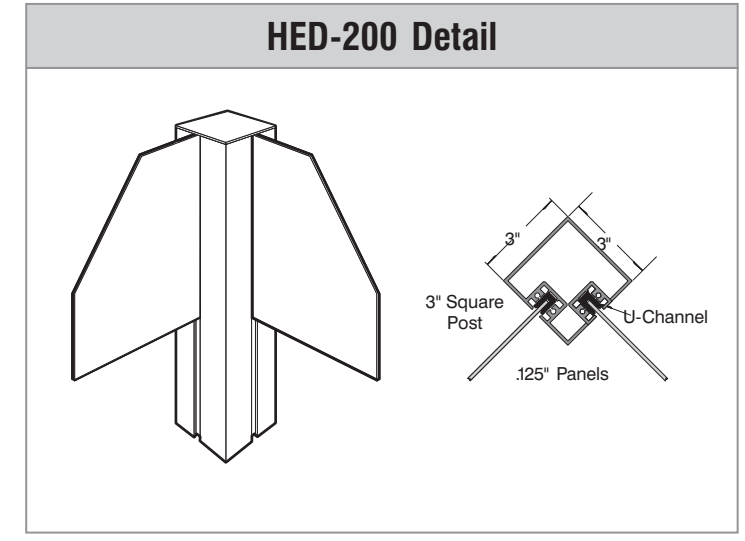
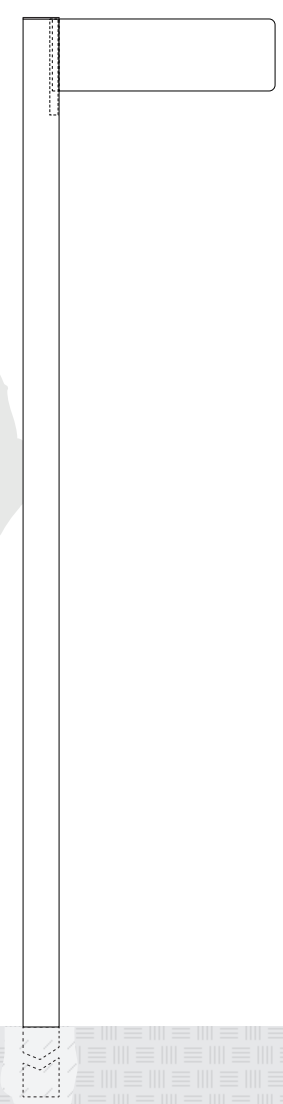
- Paint:**
- Standard White - Panel, U-Channel, Post, Cap

• Post Mount

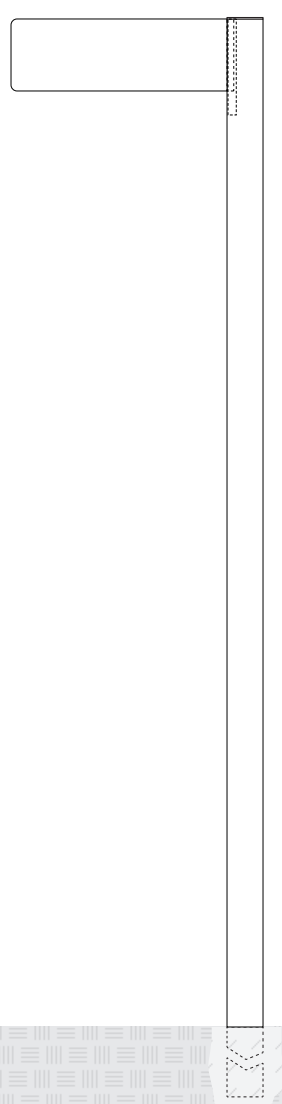
- (1) Corner Post: 3" x 3" x (L) 120" with Cap



SIDE VIEW



SIDE B



Date	DWG# HED-200_FlagMountCP	Scale:	3/4" = 1'	Customer	Mounting	Single Corner Post Mount		Quote #	
XX.XX.XX					SF/DF	Double Face		Sales Rep.	
Quantity				Location	Illuminated	NO	UL	Illustrator:	
1					Voltage	N/A	Amp		
Page				System	ADA	No	Rev. 0	Reviewed By:	
1 of 1				HED-200 (6" x 18") Flag Mount-Corner Post Sign System	*Due to the ADA/ ANSI's wide interpretation and other factors that may exist, we cannot affirm compliance in all situations and is hereby removed from responsibility regarding these issues.				



• 6400 Howard Drive, Fairview PA 16415 • Toll Free 800.458.0591 •
 • PA 814.833.7000 • Fax 814.838.0011 •
 www.howardindustries.com

All concepts and designs represented by this drawing are the property of Howard Industries and may not be reproduced or used in any manner without written consent. ©Copyright 2020 Howard Industries.