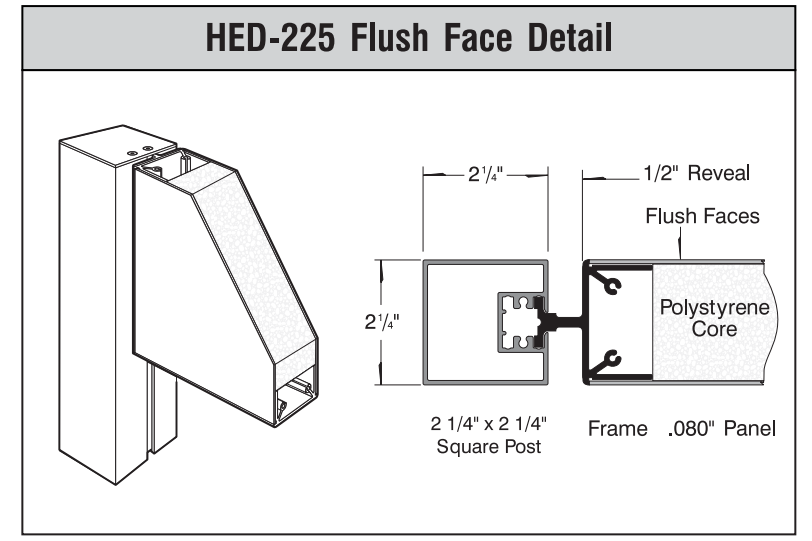


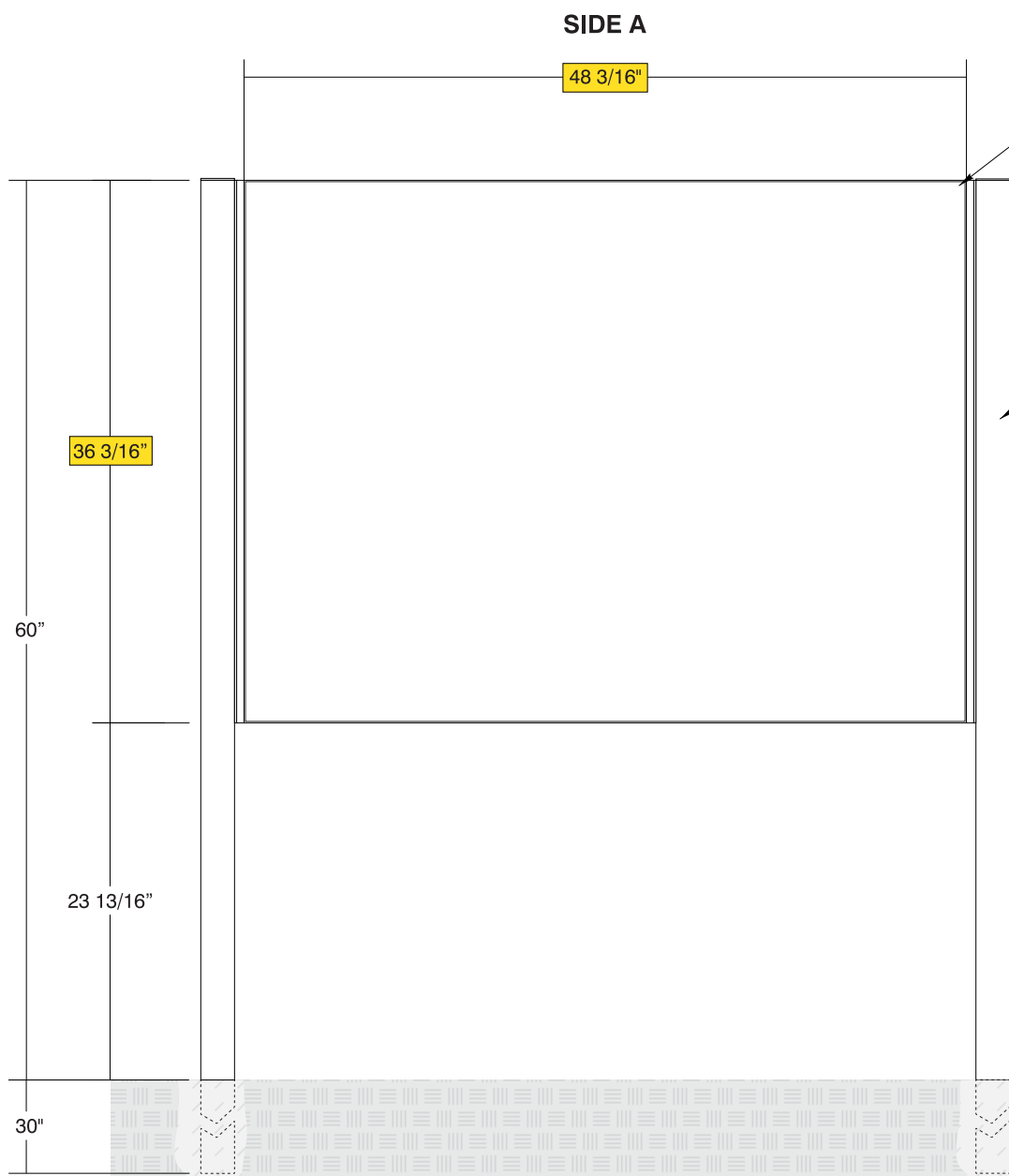


TOP VIEW



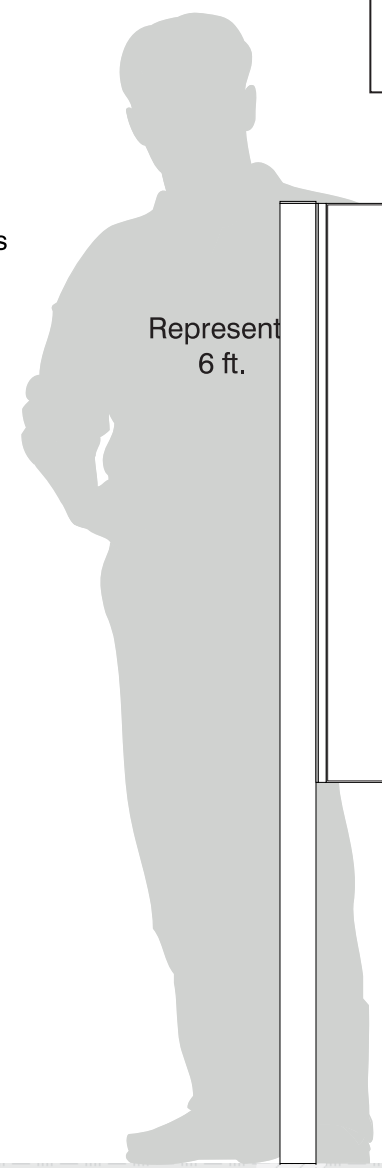
HED-225 Flush Face Detail

SIDE B



SIDE A

- **Sign System: HED-225 Standard**
 - (2) .080" Aluminum Panel: (H) 36" x (L) 48"
- **Paint:**
 - Standard White - Panel, Frame, Posts, Caps
- **Double Post Mount**
 - Posts Size: 2 1/4" x 2 1/4" x (L) 90" with Caps



Represent
6 ft.

Date	DWG# HED-225_Standard	Scale:	1"=1'	Customer		Mounting	Double Post Mount	Quote #	
XX.XX.XX				Location		SF/DF	Double Face	Sales Rep.	
Quantity				System	HED-225 (36" x 48") Standard Sign System	Illuminated	NO	Illustrator:	
1						Voltage	N/A	UL	
Page						ADA	No	Rev. 0	
1 of 1						*Due to the ADA/ ANSI's wide interpretation and other factors that may exist, we cannot affirm compliance in all situations and is hereby removed from responsibility regarding these issues.			
								Reviewed By:	



• 6400 Howard Drive, Fairview PA 16415 • Toll Free 800.458.0591 •
 • PA 814.833.7000 • Fax 814.838.0011 •
 www.howardindustries.com

All concepts and designs represented by this drawing are the property of Howard Industries and may not be reproduced or used in any manner without written consent. ©Copyright 2020 Howard Industries.