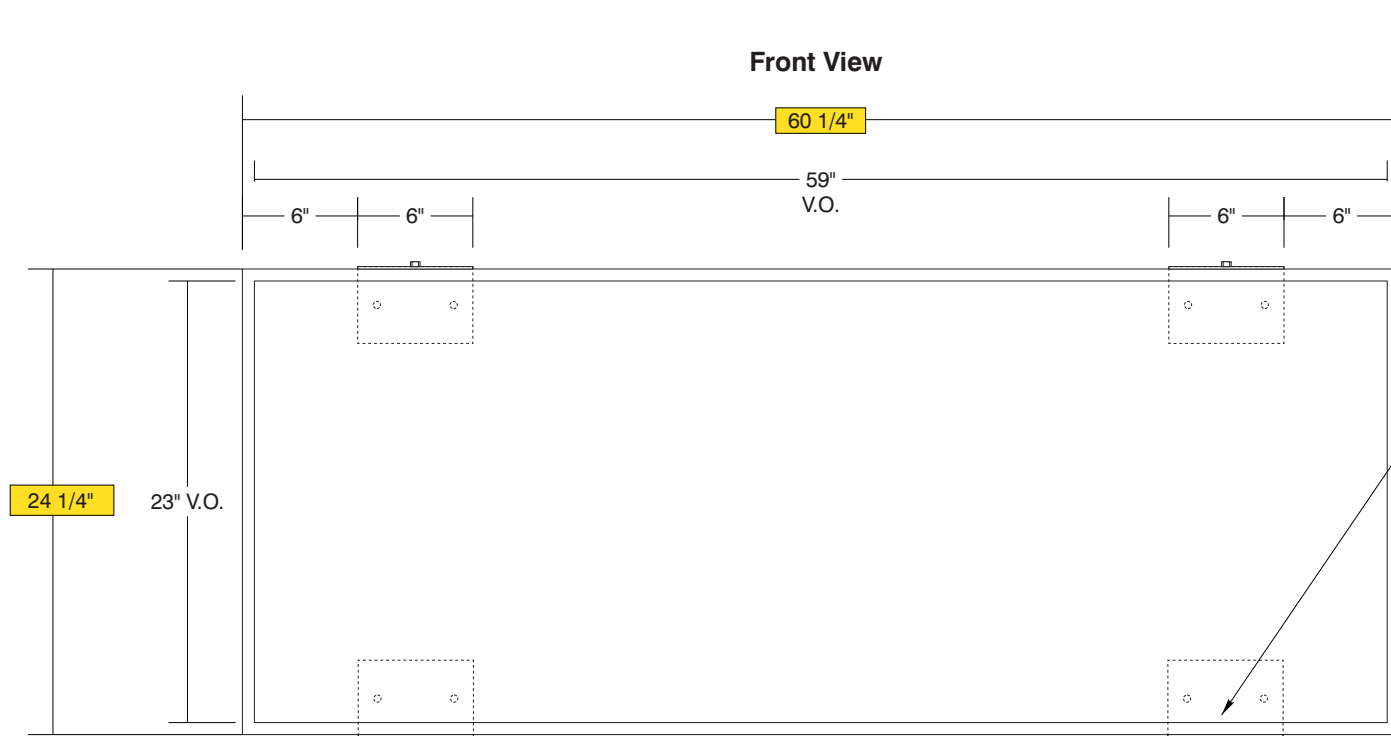
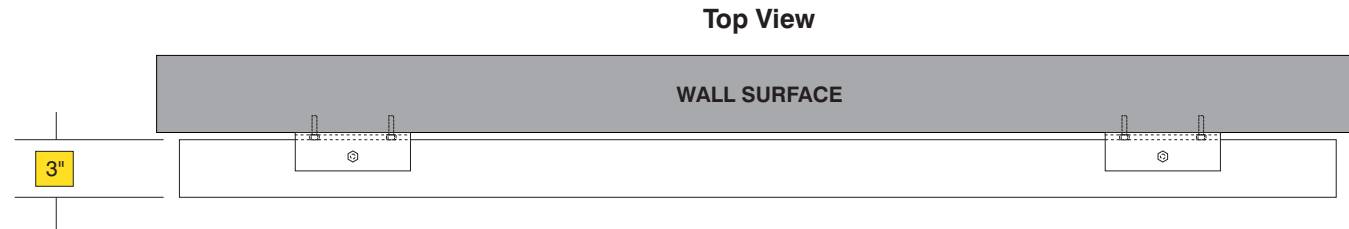
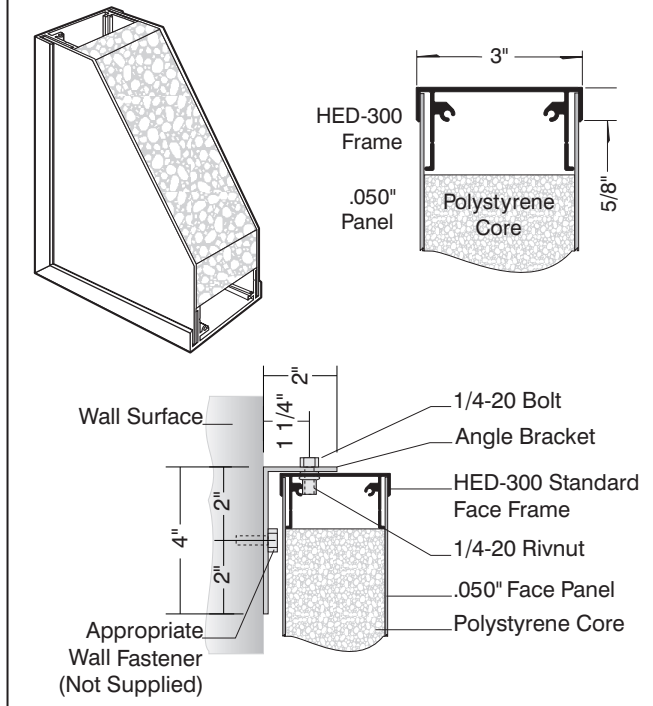


### HED-300 Wall Mount Detail



**• Sign System: HED-300 Standard Face Wall Mount**

- (2) .050" Aluminum Panel: (H) 24" x (L) 60"

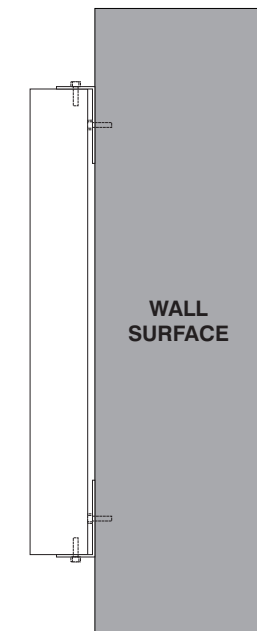
**• Paint:**

- Standard White - Frame, Panels

**• Mounting**

- (4) Mounting Bracket: 2" x 4" x 6" Lg.

**Side View**



Date	DWG# HED-300_SF_Wall Mount	Scale: 1"=10"	Customer	Mounting SF/DF	Wall Mount Single Face	Quote #
XX.XX.XX				NO	UL	Sales Rep.
Quantity			Location	Voltage	N/A Amp N/A	Illustrator:
1			System	ADA	No Rev. 0	Reviewed By:
Page			<b>HED-300 (24" x 60") Standard Face Wall Mount Sign System</b>	*Due to the ADA/ANSI's wide interpretation and other factors that may exist, we cannot affirm compliance in all situations and is hereby removed from responsibility regarding these issues.		
1 of 1						



• 6400 Howard Drive, Fairview PA 16415 • Toll Free 800.458.0591 •  
 • PA 814.833.7000 • Fax 814.838.0011 •  
 www.howardindustries.com

All concepts and designs represented by this drawing are the property of Howard Industries and may not be reproduced or used in any manner without written consent. ©Copyright 2020 Howard Industries.