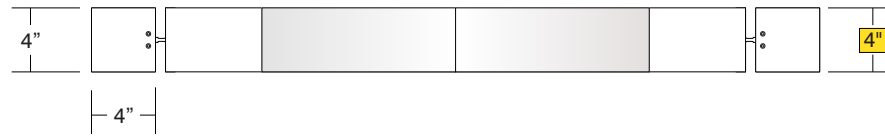
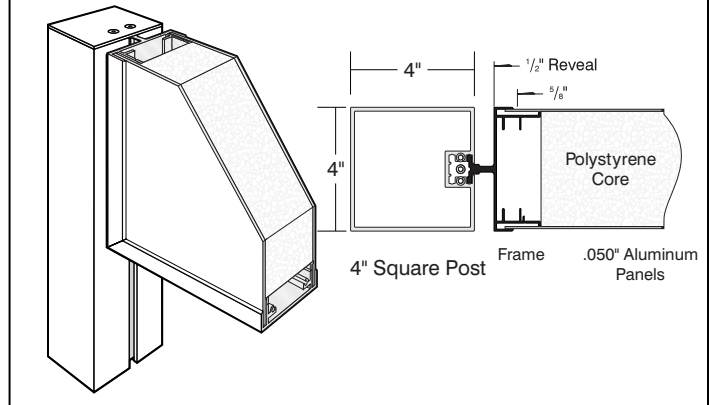


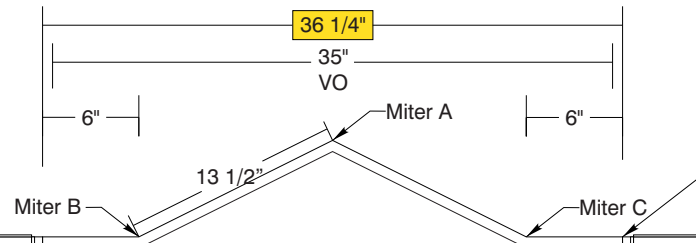
TOP VIEW



HED-400 Detail



SIDE A



• Sign System: HED-400 SF Indented Peak

- Miter A: 26.48°
- Miter B & C: 13.24°
- (2) .050" Aluminum Panel: (H) 24" x (L) 36"

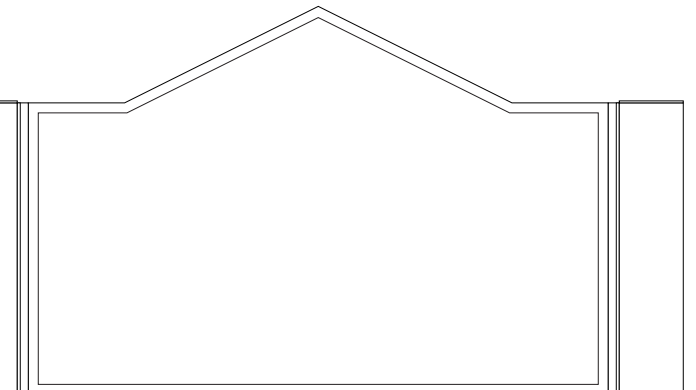
• Paint:

- Standard White - Frame, Panels, Posts, Caps

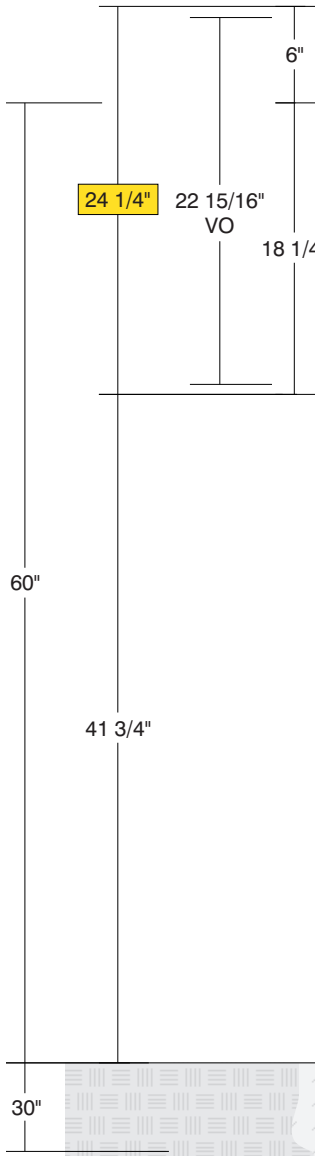
• Double Post Mount


- (2) Posts Size: 4" x 4" x (L) 90" with Caps

SIDE B



Represents 6 ft.



Date	DWG# HED-400_SF_Indented Peak	Scale:	1"=1'	Customer	Mounting SF/DF	Double Post Mount Double Face		Quote #
X.XX.XX				Location	Illuminated	NO	UL	Sales Rep.
Quantity				System	Voltage	N/A	Amp N/A	Illustrator:
1				HED 400 (24" x 36") Standard Face Indented Peak Sign System	ADA	No	Rev. 0	Reviewed By:
Page					*Due to the ADA/ANSI's wide interpretation and other factors that may exist, we cannot affirm compliance in all situations and is hereby removed from responsibility regarding these issues.			
1 of 1					 <p>6400 Howard Drive, Fairview PA 16415 • Toll Free 800.458.0591 • PA 814.833.7000 • Fax 814.838.0011 • www.howardindustries.com</p> <p>All concepts and designs represented by this drawing are the property of Howard Industries and may not be reproduced or used in any manner without written consent. ©Copyright 2020 Howard Industries.</p>			