

HED I-FLEX



NEW HED I-FLEX Sign System

Introducing the most recent addition to the Howard Industries exterior signage systems — the HED I-FLEX versatile signage cabinet. This revolutionary new sign system offers both flush and standard face alternatives, non-illuminated and illuminated capabilities, a myriad of cabinet depths increasing from 5", changeable polycarbonate panels utilizing our two part H-bar divider, changeable seamless aluminum "Slide Panels" and twin hinge backlit changeable message system capabilities.

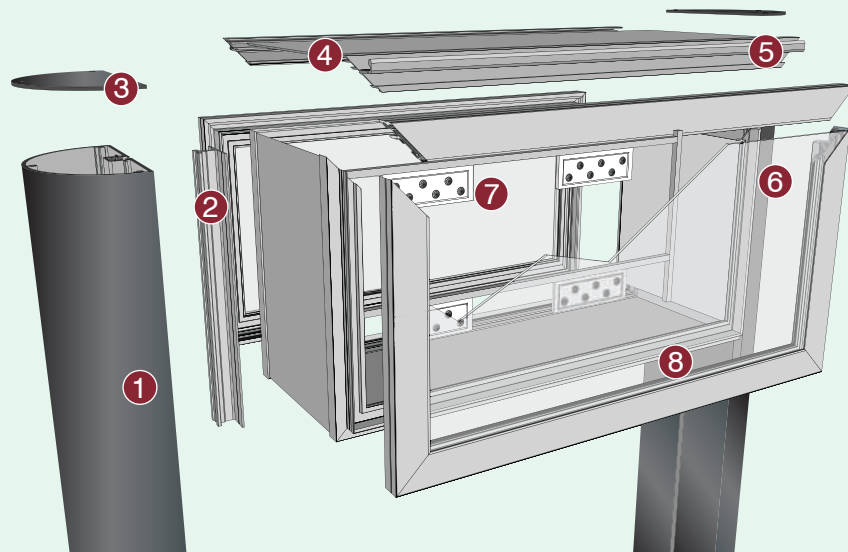
The HED I-FLEX provides large scale signs with strong visual impact for primary and secondary site identification, directions and information. The HED I-FLEX system is adaptable for post and panel, wall mounted and pylon signs with internal posts and skirted bases. Like many of our other HED sign systems, the HED I-FLEX's frame can be fabricated into custom shapes for added allure.



Ideal Applications:

- Directional Signage
- Primary Site Identification
- Secondary Site Identification
- Tenant Listing

LED I-FLEX Technical Detail



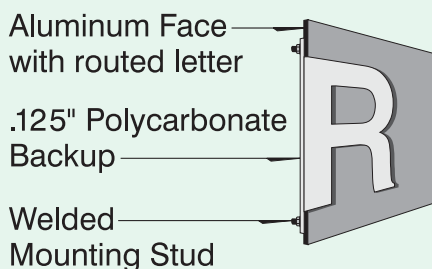
- 1 Standard 4" x 7" radius or 3" x 7" rectangular post
- 2 Post slot offers optional flush or 1/2" reveal
- 3 Injection molded post cap
- 4 I-FLEX .100" aluminum body panel
- 5 I-FLEX hinge body extrusion
- 6 .080" - .100" Aluminum or polycarbonate panel
- 7 Energy efficient LED units
- 8 Locking square with set screw

Routed Graphics and Copy

Three Styles to Choose From

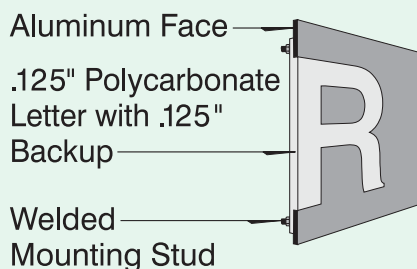
Illuminated signs with aluminum message panels are available with routed copy in three finishes:

Polycarbonate Backed Copy



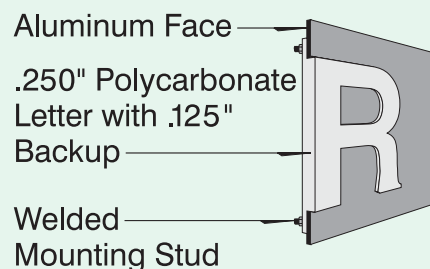
Copy is recessed from sign face

Push Thru Flush Copy



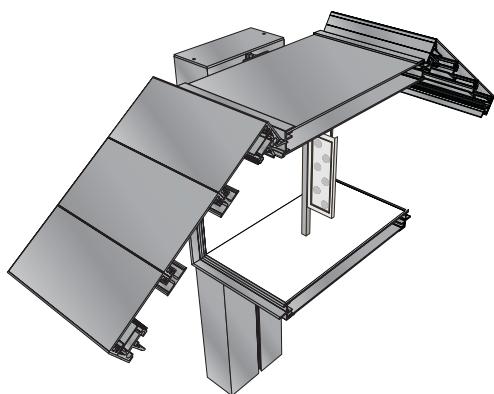
Copy is flush with sign face

Push Thru Extended Copy

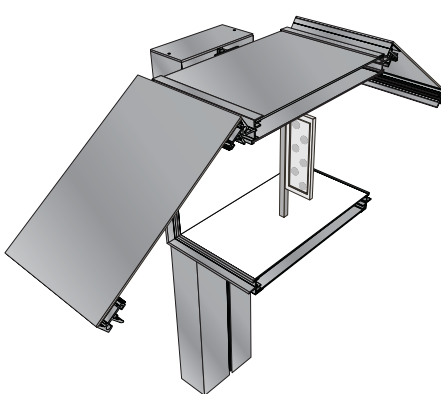


Copy extends 1/8" beyond sign face

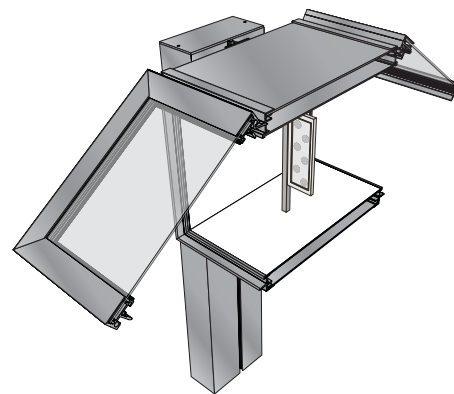
SIGN FACE OPTIONS



Seamless aluminum "slide panels" are ideal for directional and tenant listing signage.



The HED I-FLEX flush face sign panels provide a contemporary "frameless" appearance.



Traditional polycarbonate sign panels furnish the ability to illuminate the entire sign face.