

# Exterior Signage System

## Perma-Banner



### The Banner that Outperforms and Outlasts

Our patented Perma-Banner is the outdoor, street pole banner system that looks great for many years because it survives the elements without fraying, tearing, peeling, shredding, cracking or deteriorating.

The system features a "No Fly Away" vertical mounting bracket with rubber bumpers that provide a secure fit to all popular size street poles and lamp posts. New Lock-n-Release Removable Panel System allows panels to be changed for seasonal graphics and event changes. The durable, .125" aluminum panels are strong, shatter resistant and will not wrinkle or encourage mold/mildew.

The system offers increased visual impact with custom panels cut to any desired shape in sizes from 36"H x 24"L to 72"H x 30"L. Banners carry bold, bright messages on both sides using long lasting, UV laminated, Eco-solvent printed vinyl graphics that resist soiling, are fade resistant, and stay vibrant for many years.

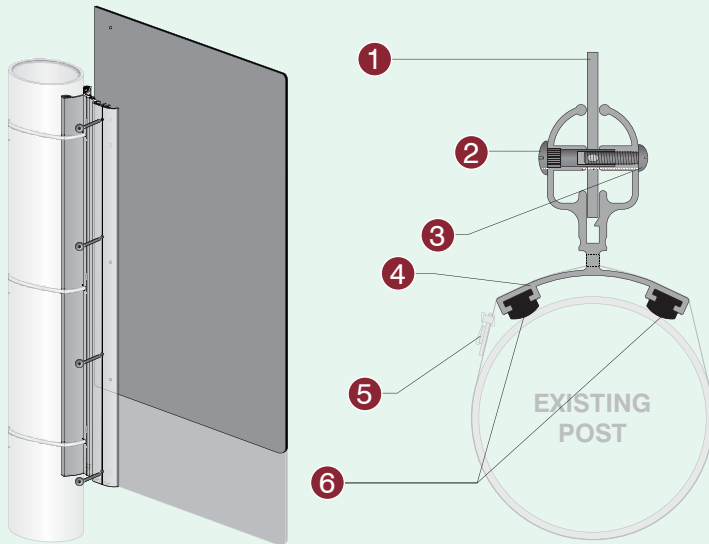
Perma-Banner is a "Green Choice" with a wide range of uses...offering a long-life investment, maintenance free, with 75% recycled aluminum extrusion and Eco-solvent graphics.



### Ideal Applications:

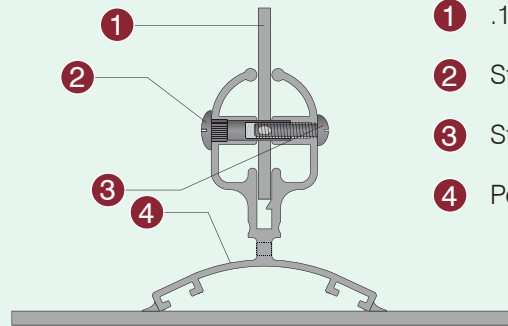
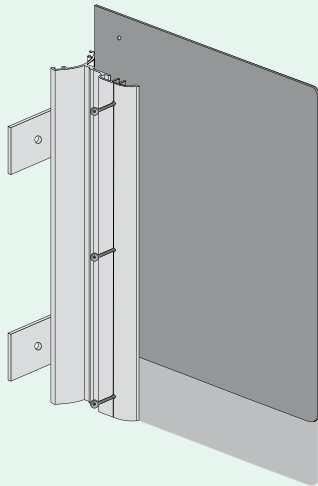
- |                         |                            |
|-------------------------|----------------------------|
| Athletic Banners        | Park and Trail-way Banners |
| Boulevard Banners       | Parking Banners            |
| Community Event Banners | Stadium Banners            |
| Holiday Banners         | Township Banners           |
| Marketing Banners       | Welcome Banners            |

## Perma-Banner Technical Detail



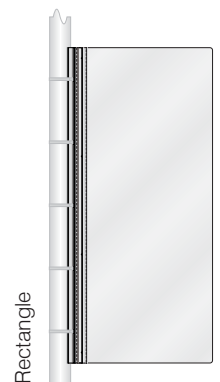
- 1 .125" Aluminum panel
- 2 Stainless steel barrel nut with knurling
- 3 Stainless steel threaded locking bolt
- 4 Perma-Banner pole mount aluminum extrusion
- 5 Banding and clamp (sold separately)
- 6 Slip resistant rubber bumpers

## Perma-Banner Wall Mount Detail



- 1 .125" Aluminum panel
- 2 Stainless steel barrel nut with knurling
- 3 Stainless steel threaded locking bolt
- 4 Perma-Banner pole mount aluminum extrusion

# STANDARD DESIGN SHAPES



Custom shapes also available to create unique banners for increased visual impact.