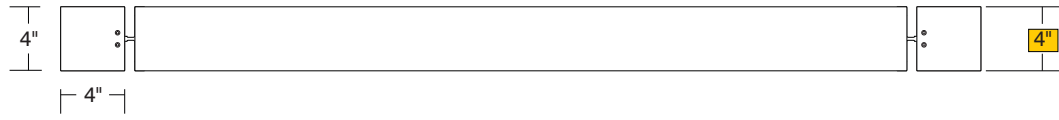
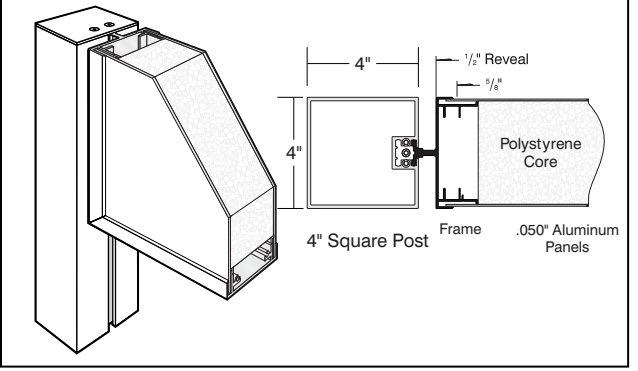


TOP VIEW



HED-400 Detail



SIDE A

48 1/4"

47"
VO

36 1/4"
35"
VO

23 3/4"

30"

•Sign System: HED-400 SF Kit

- (2) .050" Aluminum Panel: (H) 36" x (L) 48" **BY OTHERS**

•Paint:

- Standard White - Frame, Panels, Posts, Caps

•Double Post Mount

- (2) Posts Size: 4" x 4" x (L) 90" with Caps



Represents
6 ft.

Date	DWG# HED-400_SF_KIT	Scale:	1"=1'	Customer	Mounting	Double Post Mount		Quote #	
XX.XX.XX					SF/DF	Double Face		Sales Rep.	
Quantity				Location	Illuminated	NO	UL	Illustrator:	
1					Voltage	N/A	Amp	N/A	
Page				System	ADA	No	Rev. 0	Reviewed By:	
1 of 1				HED-400 (36" x 48") Standard Face Kit	*Due to the ADA/ ANSI's wide interpretation and other factors that may exist, we cannot affirm compliance in all situations and is hereby removed from responsibility regarding these issues.				



• 6400 Howard Drive, Fairview PA 16415 • Toll Free 800.458.0591 •
 • PA 814.833.7000 • Fax 814.838.0011 •
 www.howardindustries.com

All concepts and designs represented by this drawing are the property of Howard Industries and may not be reproduced or used in any manner without written consent. ©Copyright 2020 Howard Industries.