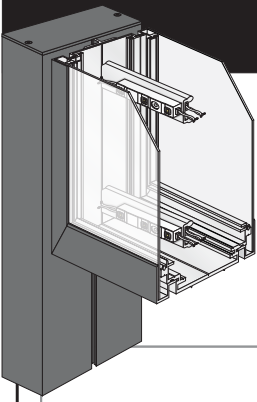


## Assembly and Installation Instructions

Carefully select the location of your sign to be sure that it will be readily visible to those for which it is intended. Before installing any sign, be sure that the installation does not obstruct traffic or hamper local utilities, landscape, maintenance, snow-plowing, etc...



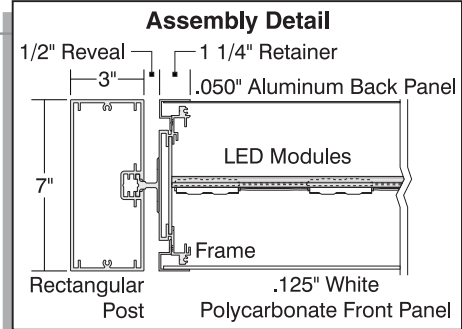
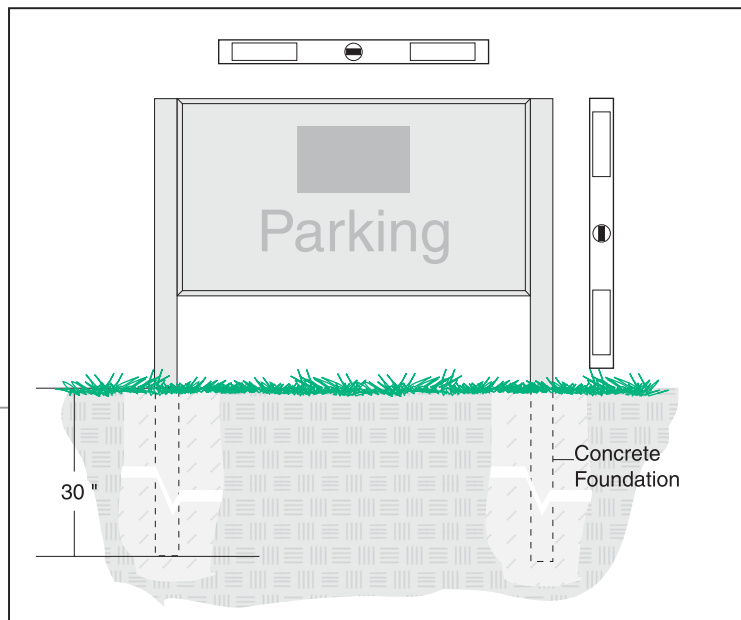
### Double Post Mount

#### Step 1

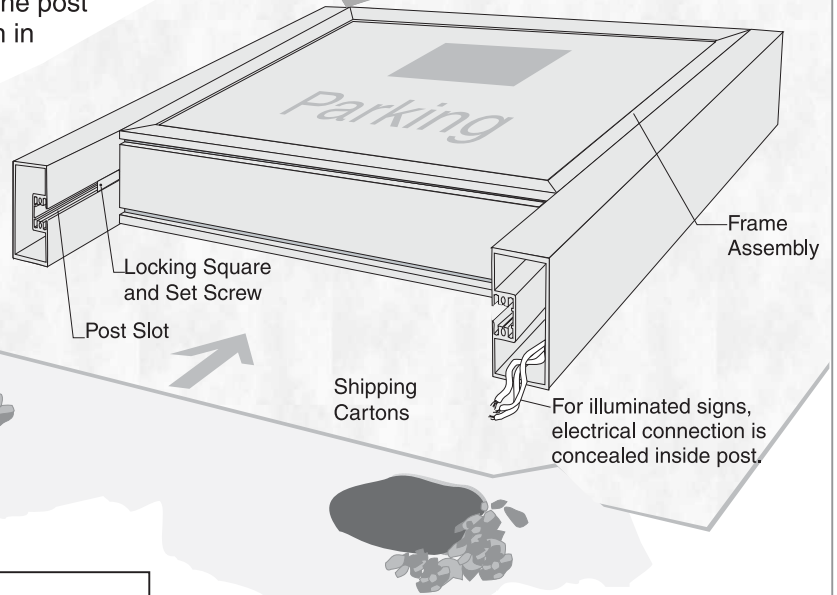
Carefully unpack the posts and frame assembly from the shipping cartons. Laying the posts on the ground (use shipping cartons underneath to avoid damage), slide the frame assembly into the post slots from the bottom until the frame is flush to the post caps, which are attached prior to shipping. Slide the locking squares into the post slots flush to the bottom of the frame and tighten in position using an allen wrench.

#### Step 2

Laying the assembled sign on the ground as a guide, dig two 12" diameter x 30" deep holes; if the sign panel is 36" or higher, dig the holes 36" deep. Insert the sign posts into the holes and fill each hole with concrete. Level the sign both horizontally and vertically.



Note:  
Assembly is the same when optional post styles are used.



NOTE: If illuminated, make electrical connections as required per local codes.



## Wall Mount

### Step 1

Carefully unpack the assembled sign from the shipping carton. Laying the sign on the ground (use shipping carton underneath to avoid damage), remove one side of the front frame retainer. Remove the message panel and set safely aside.

### Step 2

Locating the four rear corner mounting supports, place the sign in position, mark the hole locations and attach the sign to the wall surface using appropriate fasteners (not supplied). The fasteners should pass through the corner supports and the sign back. Replace the message panel and frame retainer.

**NOTE:** If illuminated, make electrical connections as required per local codes. Typical electrical connection is run through the back of the sign.

