

**• Sign System: Perma-Banner (Wall Mount)**

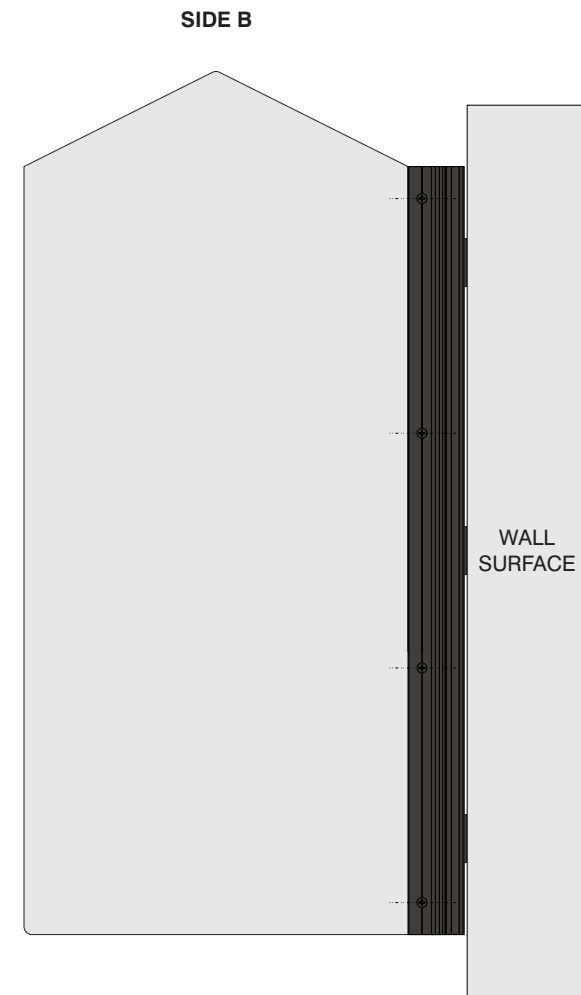
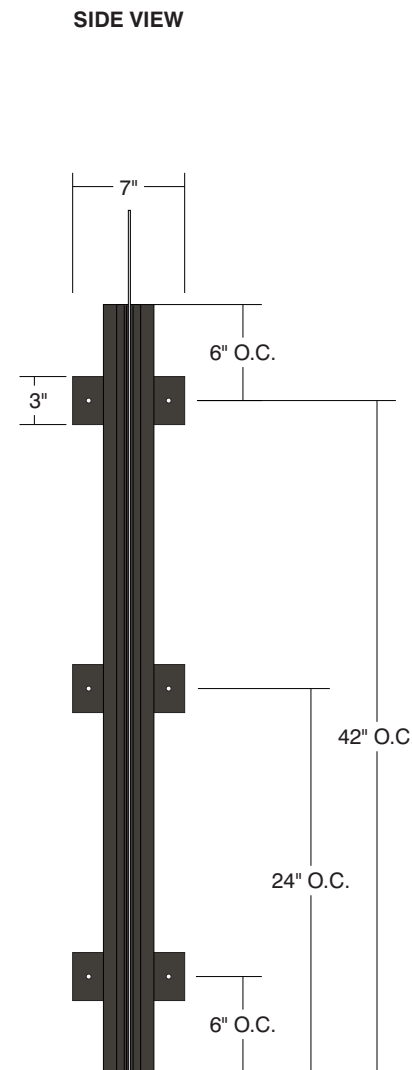
- .125" Aluminum Panel: (H) 54" x (L) 26 1/4"
- (4) 1/2" Safety Radius Corners


**• No Paint:**

- Mill Finish - Panel
- Duranodic Bronze - Mounting Extrusion

**• Perma Banner Bracket Extrusion (L) 48"**

- (3) 3" x 7" Evenly Distributed Aluminum Mounting Strips
  - (2) Located 6" O.C. in From Extrusions Ends
- (4) .391" Dia. Evenly Distributed Pre-Drilled Thru Holes
  - (2) 2" On Center in From Panel Ends



|          |                                  |        |       |  |   |                          |         |              |
|----------|----------------------------------|--------|-------|--|---|--------------------------|---------|--------------|
| Date     | DWG# Perma-Banner_Peak_WallMount | Scale: | 1"=1' | Customer   | Mounting SF/DF  | Wall Mounted Double Face | Quote # |              |
| XX.XX.XX |                                  |        |       | Location   | Illuminated   | NO                       | UL      | Sales Rep.   |
| Quantity |                                  |        |       | System   | Voltage   | N/A                      | Amp     | Illustrator: |
| 1        |                                  |        |       | Perma-Banner (54" x 24") Peak Wall Mount Sign System | ADA   | No                       | Rev. 0  | Reviewed By: |
| Page     |                                  |        |       |  | *Due to the ADA/ ANSI's wide interpretation and other factors that may exist, we cannot affirm compliance in all situations and is hereby removed from responsibility regarding these issues.   |                          |         |              |
| 1 of 1   |                                  |        |       |  |  <p>Architectural Signage Systems</p> <p>• 6400 Howard Drive, Fairview PA 16415 • Toll Free 800.458.0591 •<br/>         • PA 814.833.7000 • Fax 814.838.0011 •<br/>         www.howardindustries.com</p> <p>All concepts and designs represented by this drawing are the property of Howard Industries and may not be reproduced or used in any manner without written consent. ©Copyright 2020 Howard Industries.</p> |                          |         |              |