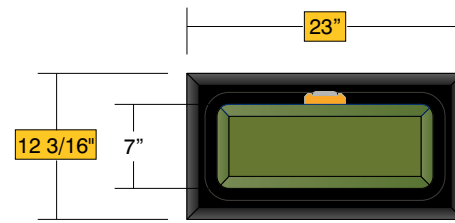
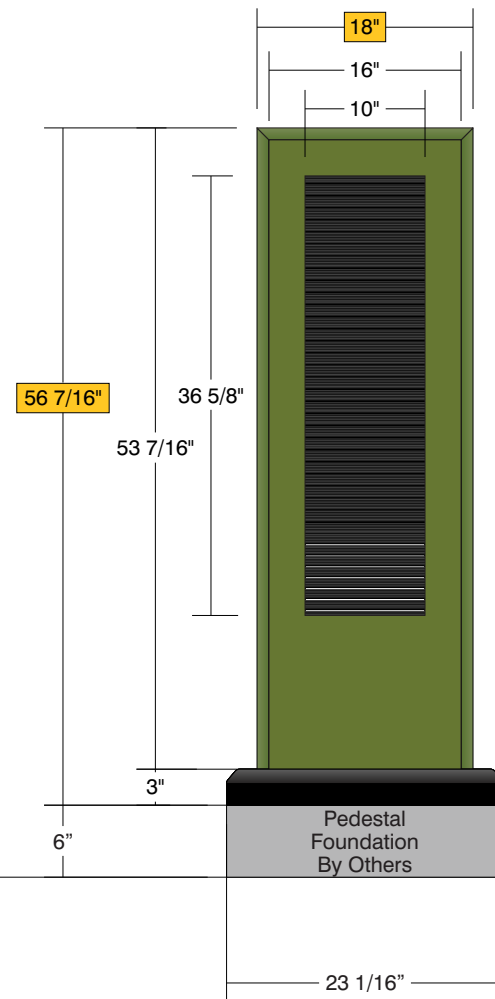


Top View



Front View



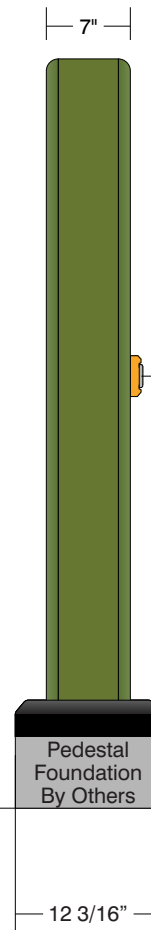
P-20 "Light Path" Pedestrian Crossing System
56 7/16" x 18"

- **Painted PMS#TBD**
- (1) 55" x 16" Front Panel w/ 36 5/8" x 10" Routed Louver Window
- (1) 4" x 16" Back Lighting Accent Panel
- (1) 47.447" x 16" Rear Electrical Access Panel
- (1) 3 9/16" x 16" Bottom Spacer Panel
- (2) 56" x 5" Side Panels
- (1) 38 1/8" x 11 1/2" Clear Polycarbonate Lens Panel
- Printed Vinyl Graphics Schematic on inside of Rear Electrical Access Panel: 16.339" x 16"

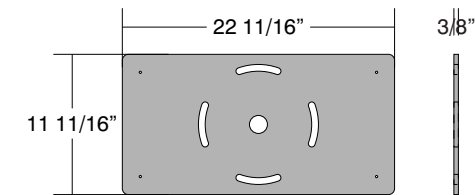
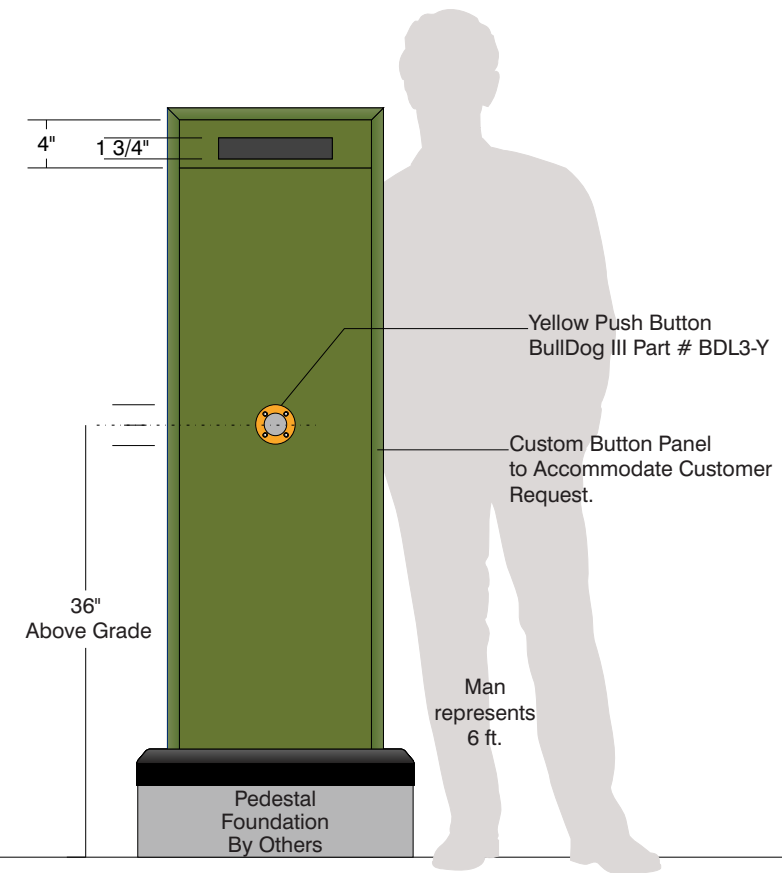
- (1) Push Button
Yellow Push Button Bulldog III Part # BDL3-Y

- (1) 3 1/16" Extruded Aluminum Base Plate Cover: 23 1/8" x 12 3/16"
- (1) Trim Ring 9 9/16" x 20 9/16" Split for Easy Access to Mounting Bolts
- **Painted Matte Black**
- (1) 3/8" Aluminum Base Plate: 11 11/16" x 22 11/16"
- (4) 1/2" Radius Corners
- (4) 9/16" Dia. Mounting Slots

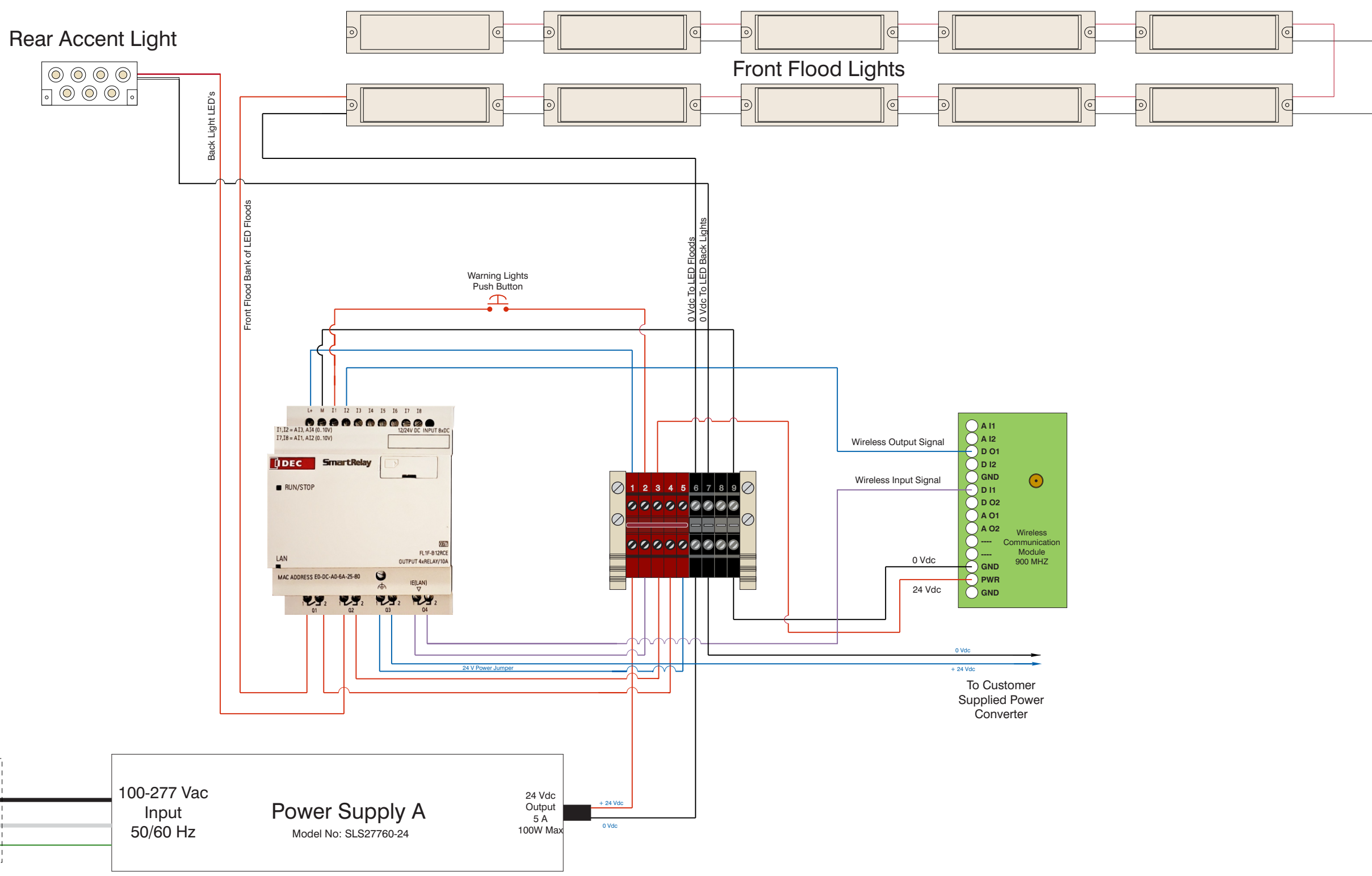
Right Side View



Back View

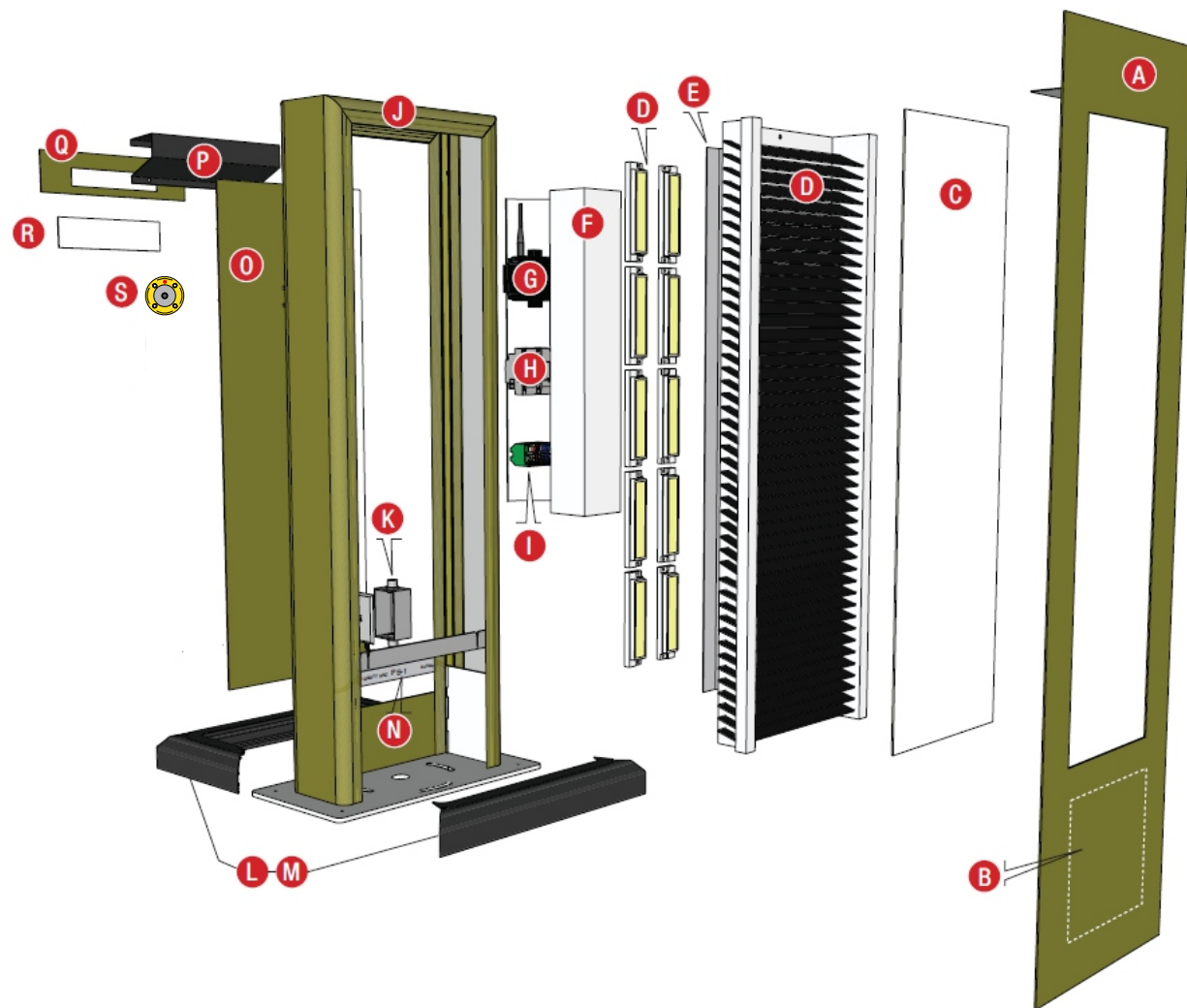


Base Plate Detail See Pg 4



This Sign is Intended to be installed in accordance with requirements of Article 600 of the National Electrical Code and / or other applicable local codes. This includes proper grounding and bonding of the sign

Shown for Breakdown
Purposes Only



Light Path Exploded View

- A** Front Lens Retainer Panel
- B** Custom Graphic Area
- C** .125" Polycarbonate Front Lens
- D** .050" Aluminum Custom Routed Louver Retainer Panel Assembly with High-Intensity-LED Lighting Modules
- E** Louver Retainer
- F** Electronic Component Encloser
- G** Wireless Communication Module
- H** Power Control Module
- I** Low Voltage Terminal Block
- J** P20 Extruded Aluminum Frame with Welded Baseplate
- K** Power Connection Box with 20 Amp Disconnect Switch
- L** **M** 2-Piece Custom Aluminum Extruded Baseplate Cover
- N** 120-277 Vac to 24Vdc Power Supply
- O** .100" Aluminum Rear Access Panel
- P** .050" Rear Lighting Deflector with 2 Low Intensity Accent LED's
- Q** .100" Aluminum Rear Lighting Access Panel
- R** .125" Polycarbonate Lens
- S** Yellow Push Button BullDog III Part # BDL3-Y

